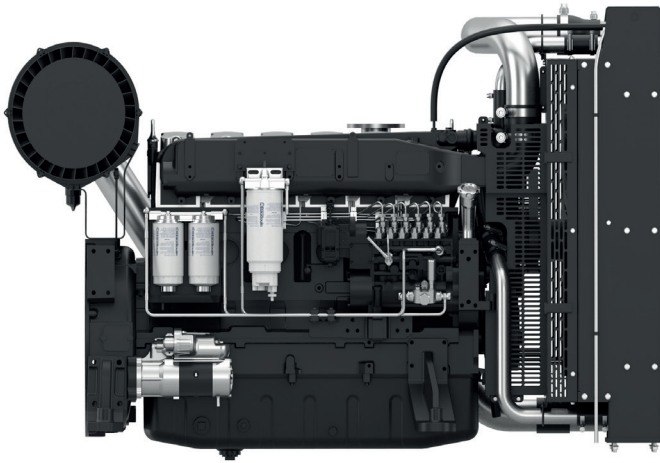


6M16

PowerKit Variable Speed Engine



Bore x Stroke (mm)	126 x 130
Displacement (L)	9.7
N° of Cylinders	6
Cylinders Arrangement	In line
Fuel System	Mechanical Pump
Governor (Gov.)	Mechanical
Aspiration (Asp.)	Turbocharged & air-to-air cooled

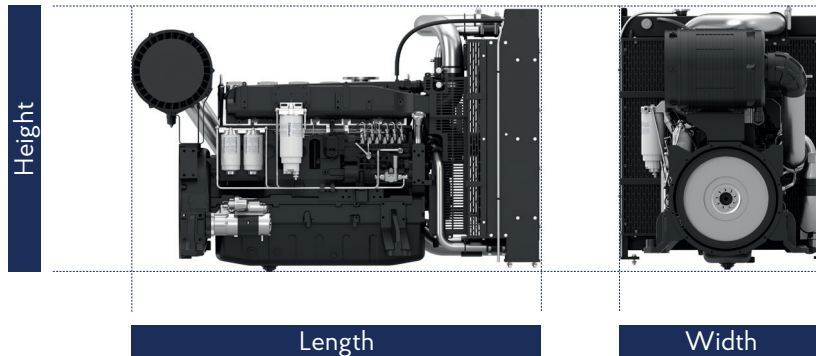
Customer benefits

- Variable speed engines optimised for use between 800 and 2200 Rpm
- Straightforward mechanical injection for easy maintenance
- Strong tolerance to varying fuel quality
- Peace of mind with best-in-class warranty of 2 years/2500 working hours

Variable Speed Engine					Coupling		
Model	Maximum Power KWm (HP)	Cylinders config.	Asp.	Displ.	Housing	Flywheel	Gov
6M16V2D0	255 (346)	6-inline	T/A-A	9.7	Sae 1	14"	Mech

Model		Engine max. gross power + Torque + Fuel Consumption														
		800 RPM	900 RPM	1000 RPM	1100 RPM	1200 RPM	1300 RPM	1400 RPM	1500 RPM	1600 RPM	1700 RPM	1800 RPM	1900 RPM	2000 RPM	2100 RPM	2200 RPM
6M16V2D0	kWm	73	91	115	141	167	196	215	228	238	245	251	256	261	265	272
	N.m	873	966	1095	1224	1325	1437	1467	1449	1420	1378	1329	1288	1247	1206	1180
	gr/kWh	201	200	196	195	192	190	189	189	191	193	197	200	205	211	218

Dimensions and dry weight (mm/kg)



Variable Speed Engine	Dimensions and dry weights including radiator			
Model	L (mm)	W (mm)	H (mm)	Weight (Kg)
6M16V2D0	1983	1033	1264	1122

Standard equipment

Engine and block

Cast iron gantry type structure block
 One-piece forged crankshaft
 Separate cast iron cylinder heads and replaceable dry cylinder liners
 Aluminum alloy pistons with oil cooling gallery

Cooling system

Radiator and hoses supplied separate
 Thermostatically-controlled system with belt driven coolant pump and pusher fan

Lubrication system

Flat bottom large capacity oil pan
 Spin-on full-flow lube oil filter

Fuel system

Optimum performance and efficient use of fuel for continuous duty
 Duplex fine filter for better efficiency

Air intake and exhaust system

Special rear mounted air filter with restriction indicator
 Exhaust manifold shield for heat isolating

Electrical system

24V DC electric starter motor and battery charging alternator

Flywheel and housing

SAE 1 flywheel housing and 14" flywheel

Ratings definitions

Industrial Continuous Power

This power rating is for applications that operate with constant load and speed except for short periods during startup or shutdown. This rating conforms to ISO 3046 Continuous Power.